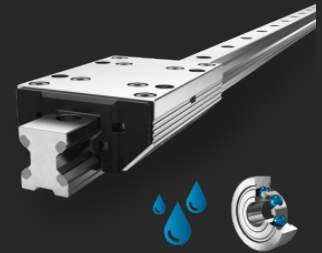


Linear Guides Type FDG-K

Double rail and cassette

Non-corrosive Low cost



Aluminum roller guides of type FDG are equipped with stainless steel raceways and ball bearings. They offer insensitivity to environmental influences at an affordable price.

Description

Franke FDG linear guides are suitable for linear motion tasks in almost all industries. They are particularly convincing in cost-sensitive applications in harsh environments and with reduced demands on load capacity. Rail elements can be manufactured in a length of 200 mm to 4000 mm and, on request, can also be linked endlessly.

Characteristics

Rollers	Ball bearing
Raceway	NIRO steel

Properties

Resilience	● ●
Dynamics	● ●
Corrosion resistant	● ● ● ● ● ●
Non magnetic	●
Lubricant free	●
Price	● ● ●

Technical data

Stroke length

One piece from 200 mm to 4000 mm, connectable on request

Material

Cassette plate, roller shoes,
 Rail body: aluminum, anodized
 Raceways: corrosion resistant steel
 Rollers: corrosion resistant bearing steel

Operating temperature

-20 °C to +80 °C

Maximum speed

10 m/s

Maximum acceleration

40 m/s²

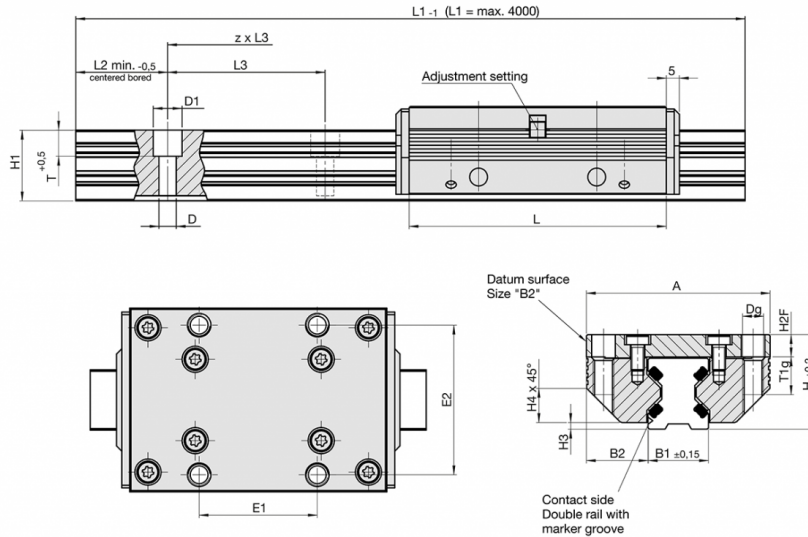
Mounting position

Any

Lubricant

Lifetime-lubricated, maintenance-free

Data tables



FDG-K

Size	Dimensions mm									
	A	L	H	B1	B2	D	D1	Dg	E1	
12	37	64	19	12,00	12,50	3,4	6	M 4	25	
15	47	78	24	15,50	15,75	4,5	8	M 5	30	
20	63	92	30	21,00	21,00	5,5	10	M 6	40	
25	70	98	36	23,00	23,50	6,6	11	M 8	45	
35	100	135	48	32,00	34,00	9,0	15	M 10	62	
45	120	165	60	45,00	37,50	11,0	18	M 12	80	

FDG-K

Size	Dimensions mm									
	E2	H1	H2F	H3	H4	L2	L3	T	T1g	
12	30	14,7	4,0	1,4	5,5	10	40	5,5	8	
15	38	18,7	5,0	2,0	8,0	10	60	6,0	10	
20	53	22,6	7,0	2,0	11,0	10	60	8,0	12	
25	57	27,0	8,5	2,5	13,0	10	60	10,0	16	
35	82	37,0	10,5	3,5	20,0	12	80	11,5	20	
45	100	46,0	13,5	4,0	22,0	16	105	14,5	24	

Linear Guides Type FDG-K

Double rail and cassette

Non-corrosive Low cost

Innovation in Motion



Basic load ratings, weight, length

Size	Load ratings		Moment capacities cassette				Weight		Order no.	Delivery time*
	N		Nm				kg			
	C	C ₀	M _{0cx}	M _{cx}	M _{0cy} /M _{0cz}	M _{cy} /M _{cz}	Cassette	Rail/m		
12	620	170	1,6	5,7	2,4	8,9	0,09	0,40	84494LN	on request
15	700	230	2,4	7,5	4,0	12,0	0,17	0,80	84396LN	on request
20	940	300	4,0	13,0	6,0	19,0	0,35	1,30	84441LN	on request
25	1500	700	11,0	23,0	15,0	32,0	0,50	1,60	84363LN	on request
35	3100	1400	32,0	72,0	42,0	95,0	1,40	2,60	84364LN	on request
45	6300	2700	86,0	200,0	103,0	238,0	2,50	4,50	84365LN	on request

* Prices and delivery times are ex works Germany and are subject to change without notice. In other countries, prices and delivery times may vary due to different taxes, duties, charges and fees. For actual sales prices and delivery conditions in your country, please contact our local representative.

Contact

Franke GmbH
Obere Bahnstraße 64
73431 Aalen - Germany

Tel. +49 7361 920-0
Fax +49 7361 920-120
info@franke-gmbh.de

DIN EN ISO 9001 QM
DIN EN ISO 14001 QM

Created: 20.02.2025