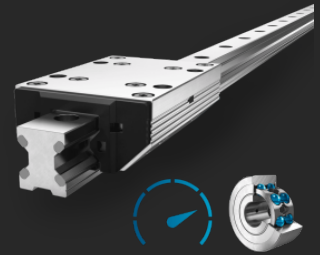


# Linear guide type FDH-K

## Double rail and cassette

### Highly dynamic



Aluminum roller guides of type FDH convince with their particularly quick response and smooth running even at high acceleration.

### Description

Franke FDH linear guides are suitable for linear movement tasks, especially in dynamic pick-&-place applications. They have rollers with angular contact ball bearings for the highest acceleration and speed values, for example when using linear motors as the drive source. Rail elements can be manufactured in a length of 200 mm to 4000 mm and, on request, can also be linked endlessly.

### Characteristics

Rollers	Angular contact ball bearings
Raceway	Spring steel, standard

### Properties

Resilience	● ● ● ●
Dynamics	● ● ● ● ●
Corrosion resistant	● ●
Non magnetic	●
Lubricant free	●
Price	● ●

### Technical data

#### Stroke length

One piece from 200 mm to 4000 mm, connectable on request

#### Material

Cassette plate, roller shoes,  
 Rail body: aluminum, anodized  
 Raceways: spring steel  
 Rollers: bearing steel

#### Operating temperature

-20 °C to +80 °C

#### Maximum speed

10 m/s

#### Maximum acceleration

100 m/s<sup>2</sup>

#### Mounting position

Any

#### Lubricant

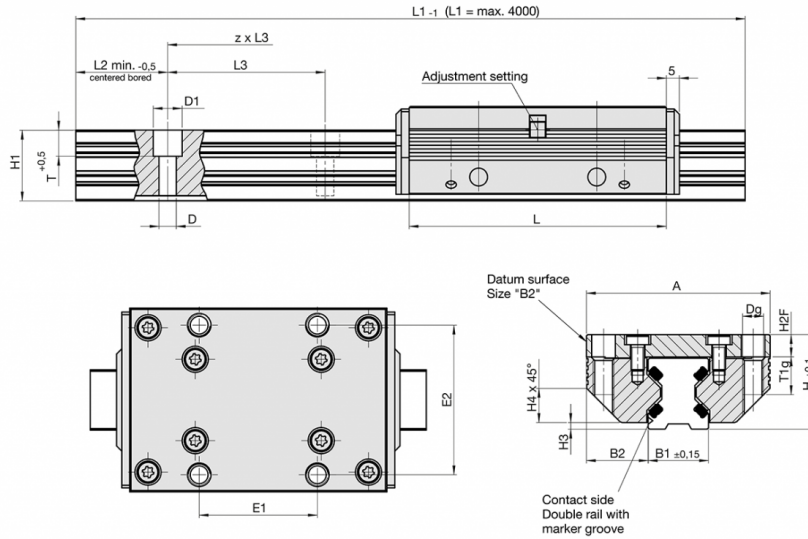
Lifetime-lubricated, maintenance-free

# Linear guide type FDH-K

## Double rail and cassette

### Highly dynamic

#### Data tables



#### FDH-K

Size	Dimensions mm								
	A	L	H	B1	B2	D	D1	Dg	E1
25	70	98	36	23,00	23,50	6,6	11	M 8	45
35	100	135	48	32,00	34,00	9,0	15	M 10	62
45	120	165	60	45,00	37,50	11,0	18	M 12	80

#### FDH-K

Size	Dimensions mm								
	E2	H1	H2F	H3	H4	L2	L3	T	T1g
25	57	27,0	8,5	2,5	13,0	10	60	10,0	16
35	82	37,0	10,5	3,5	20,0	12	80	11,5	20
45	100	46,0	13,5	4,0	22,0	16	105	14,5	24

# Linear guide type FDH-K

## Double rail and cassette

### Highly dynamic

Innovation in Motion



#### Basic load ratings, weight, length

Size	Load ratings N		Moment capacities cassette Nm				Weight kg		Order no.	Delivery time*	
	C	C <sub>0</sub>	M <sub>0cx</sub>	M <sub>cx</sub>	M <sub>0cy</sub> /M <sub>0cz</sub>	M <sub>cy</sub> /M <sub>cz</sub>	Cassette	Rail/m			
25	7500	3700	58,0	118,0	81,0	165,0	0,50	1,60	84363S	on request	
35	13400	8100	189,0	315,0	250,0	416,0	1,40	2,60	84364S	on request	
45	24300	14400	461,0	777,0	548,0	924,0	2,50	4,50	84365S	on request	

\* Prices and delivery times are ex works Germany and are subject to change without notice. In other countries, prices and delivery times may vary due to different taxes, duties, charges and fees.  
For actual sales prices and delivery conditions in your country, please contact our local representative.

#### Contact

Franke GmbH  
Obere Bahnstraße 64  
73431 Aalen - Germany

Tel. +49 7361 920-0  
Fax +49 7361 920-120  
info@franke-gmbh.de

DIN EN ISO 9001 QM  
DIN EN ISO 14001 QM

Created: 20.02.2025